



Doing it Right!

BEETEC®



**FITS 55"-90"**

Height Adjustable  
Heavy Duty Mobile Cart

**INSTRUCTION**

UP TO 90" AND 90.9KG  
LARGE SIZE CART



Model-AVA1800-70-1P



Professional Rolling Mobile Stand for Extra Large TV  
Presentation Rooms and Video Conferencing Solutions

تك فورت للتجارة العامة ش م م  
**TECHFORT**

# PROFESSIONAL ROLLING MOBILE STAND FOR EXTRA LARGE TV PRESENTATION ROOMS AND VIDEO CONFERENCING SOLUTIONS



Designed for 55"- 90" flat panel TVs.

Weight capacity: 90.9kg.

VESA compliance: 200 x 200mm, 400 x 200mm, 400 x 400mm, 800 x 500mm.

TV Height adjustment: 1050mm(53")~ 1650mm (65").

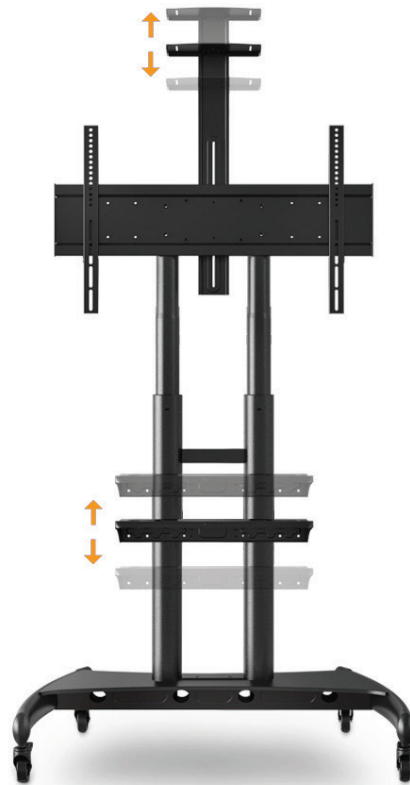
Colour: Black powder coated finish.

Whether you are looking for a large TV stand for your living room, or you want to find the best way to set up your BIG SCREEN LED/LCD TV or display in a meeting room, exhibition room, or restaurant, here is a fantastic economical solution.

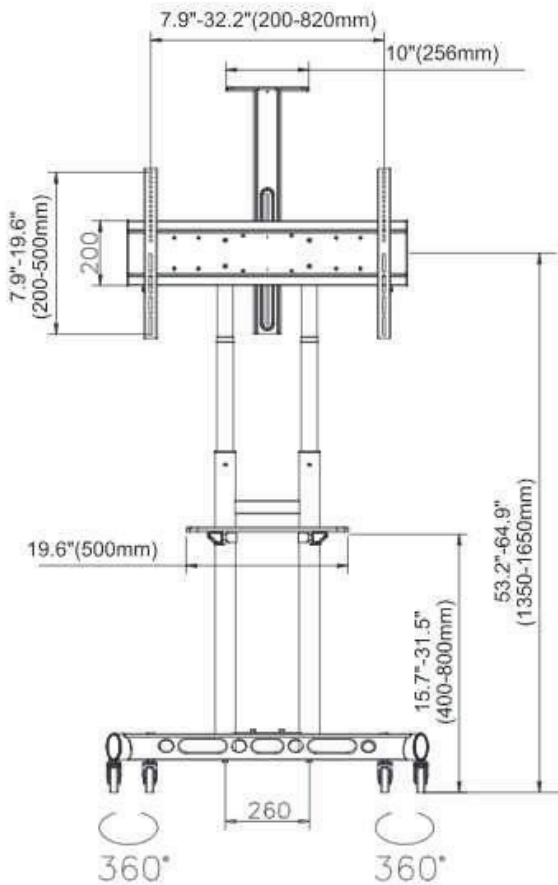
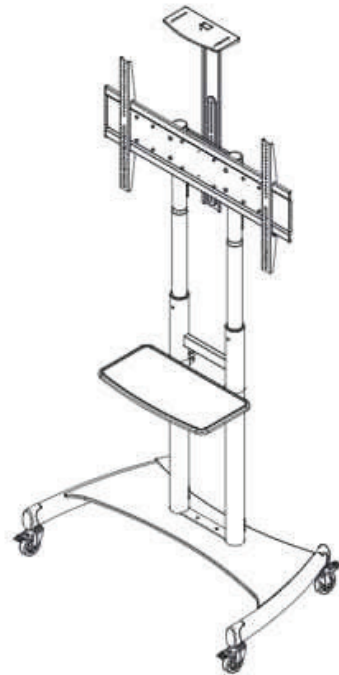
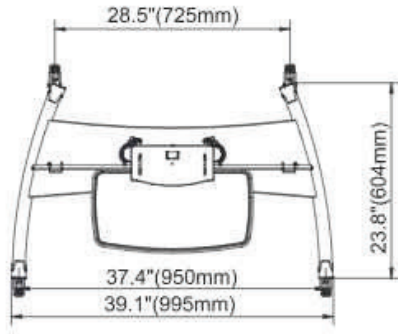
This is a well designed, high quality heavy-weight mobile display stand, with a black powder coat for a sleek look and 2 rigid heavy-duty poles to give you a height adjustment from 1350mm(53") to 1650mm (65").

This AVA1800-70-1P comes with standard accessories like a camera tray and AV accessories shelf. It is uniquely convenient by allowing adjustment of the TV viewing height with spring plunges. It also has a cable management system, and most importantly, a very affordable price.

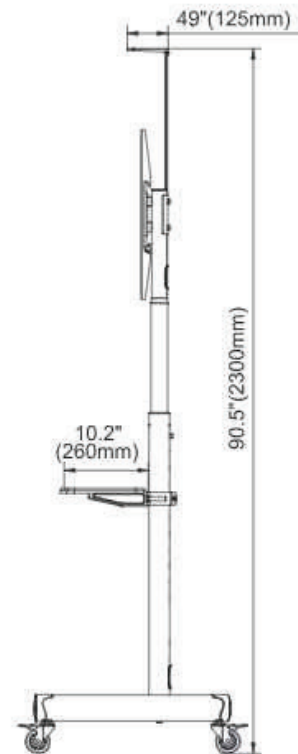
The AVA1800-70-1P carries up to 200 lbs(90.9kg) and fits up to a 80" flat panel screen. This unit is made mobile with 4 heavy-duty braked caster wheels, providing you with easy and safe manoeuvrability in any direction.



# TECHNICAL SPECIFICATION

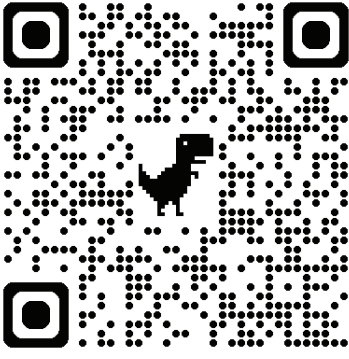


LOAD CAPACITY  
200 LBS/90.9 KG MAX



Heavy-duty dual pole mobile display stand. Black powder coated finish. Achieves a maximum height of 1650mm (65"). Smooth rolling casters for effortless positioning (4 x 3" braked casters). Integrated cable management system inside poles. Maximum carry load 90.9kg (200lbs) and fits flat TV panels of 55" to 80". Comes with standard height-adjustable AV shelf and camera tray. VESA standard from 200 x 200 to 800 x 500. Fits most of the current flat panel TVs. Flexible and installer-friendly. Easy and convenient. Perfect space saver. Efficiently packaged for you to save on shipping and storage costs.





*Doing it Right!*



*Doing it Right!*

+971 50 950 9334  
+971 4 558 7680  
info@techfortme.com  
www.techfortme.com  
Office 26, Al Suwaidi Sons Building,  
Nakheel Road, Deira, Dubai, UAE

تك فورت للتجارة العامة ش م م

TECHFORT