

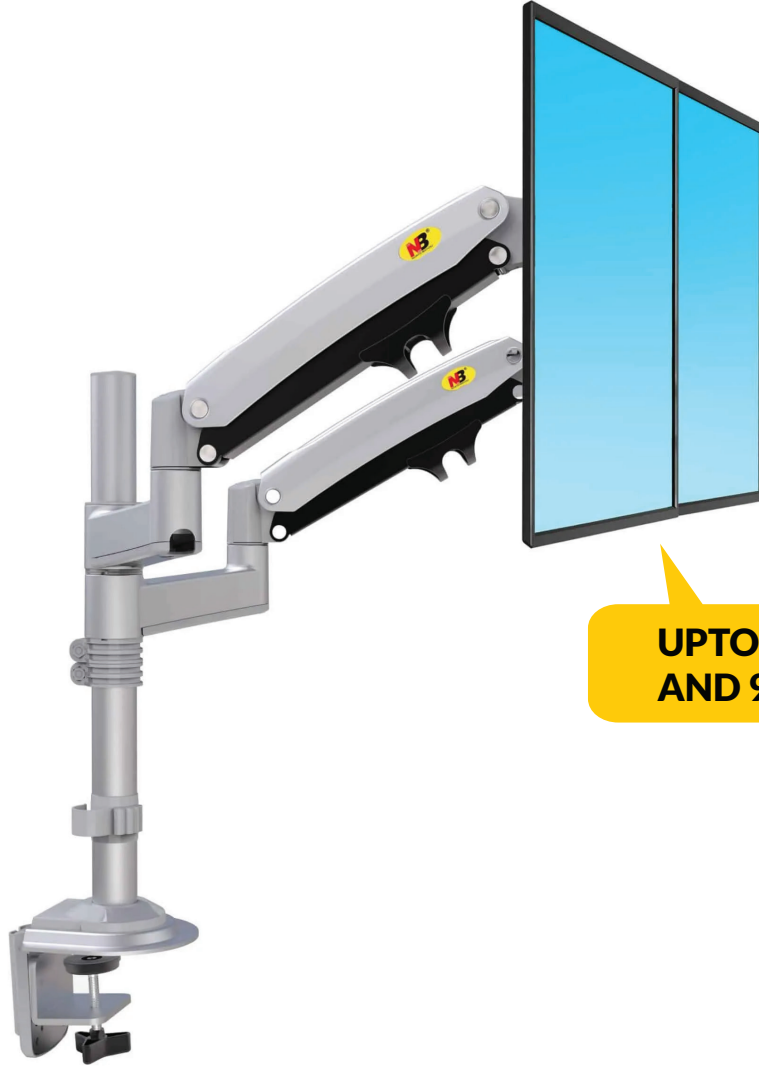
Doing it Right!

BEETEC[®]

FITS 17"-27"

Adjustable Monitor
Desk Mount

INSTRUCTION



**UPTO 27"
AND 9KG**

Model-H180

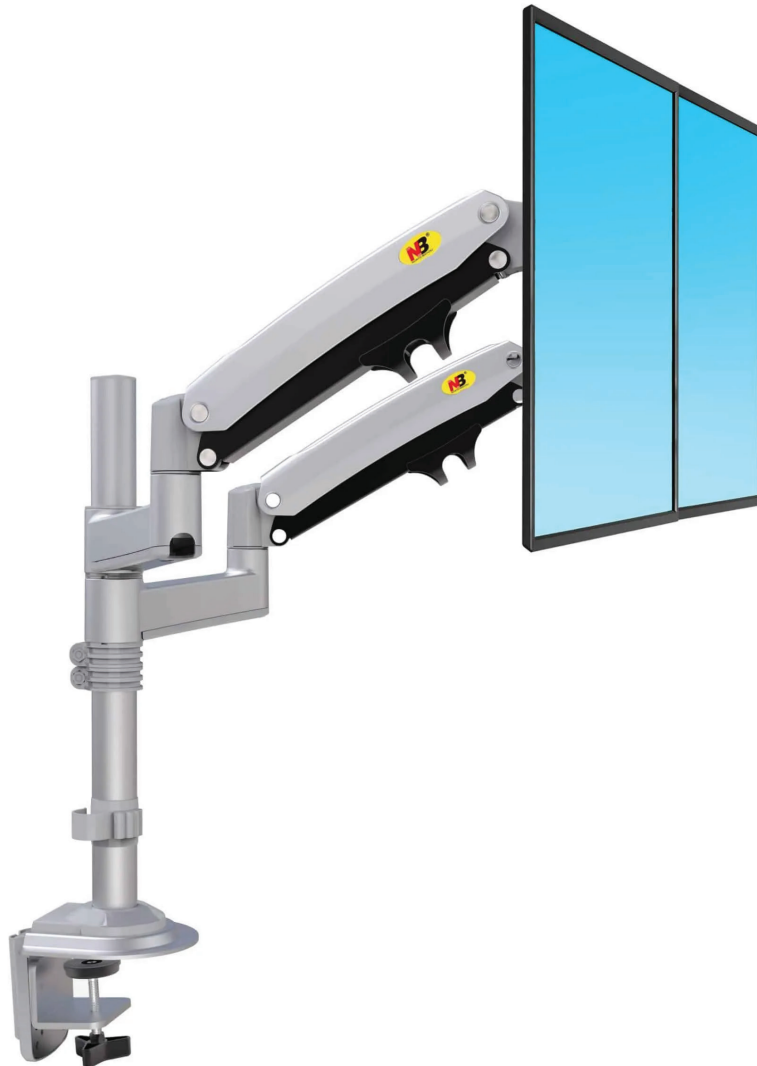
Adjustable Gas Spring Monitor Desk Arm



تك فورت للتجارة العامة ش م م

TECHFORT

ADJUSTABLE GAS SPRING MONITOR DESK ARM



Product Description:

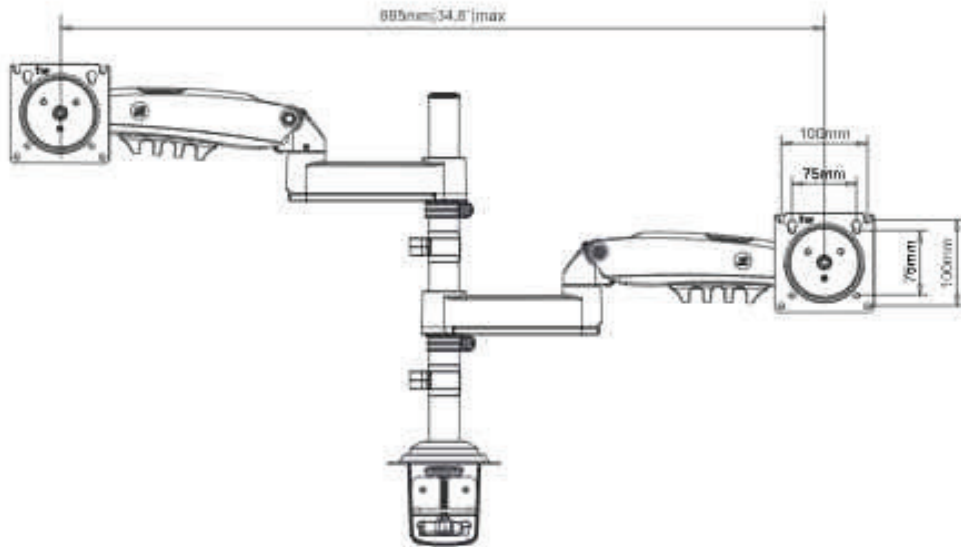
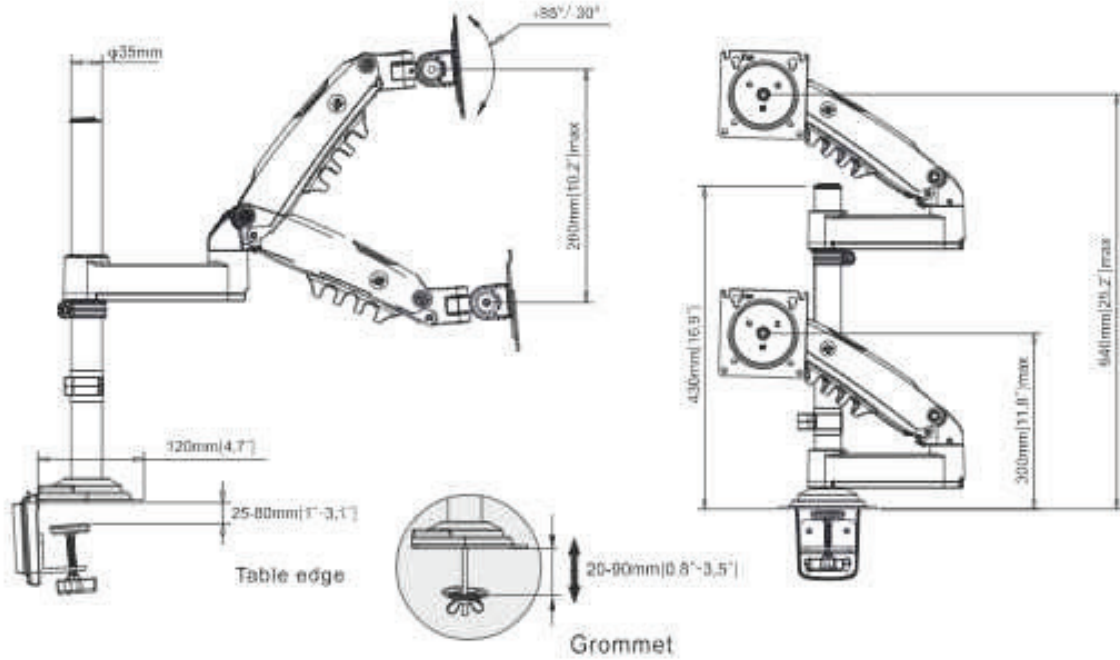
This dual-arm monitor mount is designed for flexibility, sturdiness, and ergonomic benefits, allowing users to position their monitors for optimal comfort and productivity. It supports screens between 17 and 27 inches, with a maximum load capacity of 19.8 lbs (9 kg) per arm. The mount provides versatile movement with 360° rotation, tilt, and swivel capabilities, making it ideal for various viewing needs in office and home environments.

Key Features:

- **Screen Compatibility:** Supports screen sizes from 17" to 27".
- **Load Capacity:** Each arm can handle a monitor weight ranging from 4.4 to 19.8 lbs (2–9 kg).
- **VESA Mounting:** Compatible with VESA patterns of 75 × 75 mm and 100 × 100 mm.
- **Upright Height:** The mount offers an upright extension of 9.8 inches (260 mm).
- **Full Rotation:** Both arms can rotate 360°, allowing for seamless transitions between portrait and landscape orientations.
- **Tilt Angles:** The monitor arms feature a +85° to -30° tilt range for easy adjustment of screen angle.
- **Swivel Angles:** Each arm can swivel ±90°, offering flexible horizontal movement.
- **Arm Length:** The arm can extend horizontally up to 34.8 inches (885 mm).
- **Vertical Adjustability:** Offers up to 25.2 inches (640 mm) of vertical adjustment.
- **Mounting Options:** The base clamp supports desk thicknesses between 1 inch and 3.1 inches (25–80 mm).



TECHNICAL DRAWINGS





Doing it Right!



Doing it Right!

+971 50 950 9334
+971 4 558 7680
info@techfortme.com
www.techfortme.com
Office 26, Al Suwaidi Sons Building,
Nakheel Road, Deira, Dubai, UAE

تك فورت للتجارة العامة ش م م

TECHFORT