



Doing it Right!



# RFIVER MT6002 MOBILE TV CARTS

Elevate your viewing experience and declutter your living space with this versatile, Heavy-Duty Mobile TV Stand. Designed for both professional and home use, this all-in-one solution combines a robust television mount with a three-tier media console. Whether you need a portable display for office presentations or a stylish, movable home theater setup, this stand provides the stability and flexibility required for modern screens.

Built with high-grade steel and a reinforced wide base, it effortlessly supports large displays while providing ample storage for gaming consoles, audio equipment, and decorative items. The sleek matte black finish ensures it blends seamlessly into any contemporary decor.



**Screen Size**  
37" ~ 75"



**VESA**  
600x400mm



**Load Capacity**  
68KGS



**Height Range**  
1101 ~ 1401mm



**Cable Management**  
YES

[www.techfortme.com](http://www.techfortme.com)



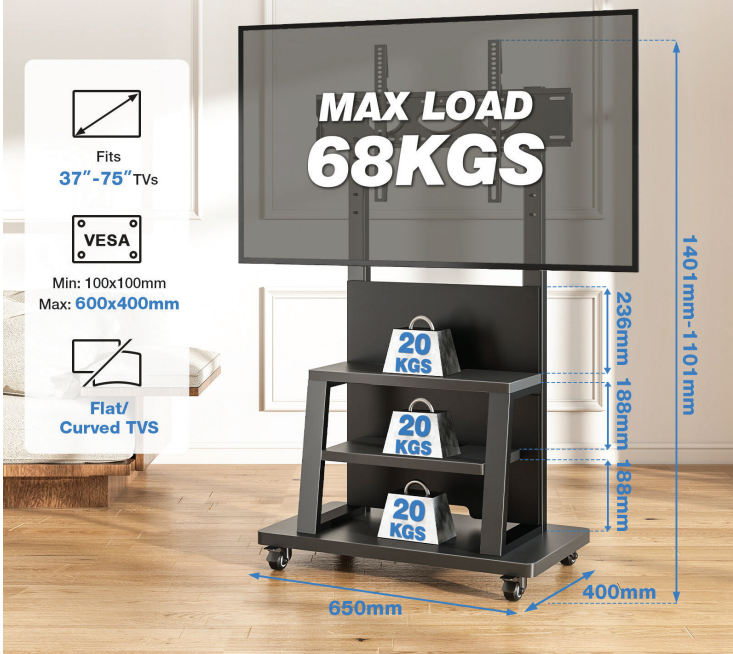
Doing it Right!



# RFIVER MT6002 MOBILE TV CARTS



## WIDE COMPATIBILITY



## IMPROVE VIEWING EXPERIENCE



www.techfortme.com



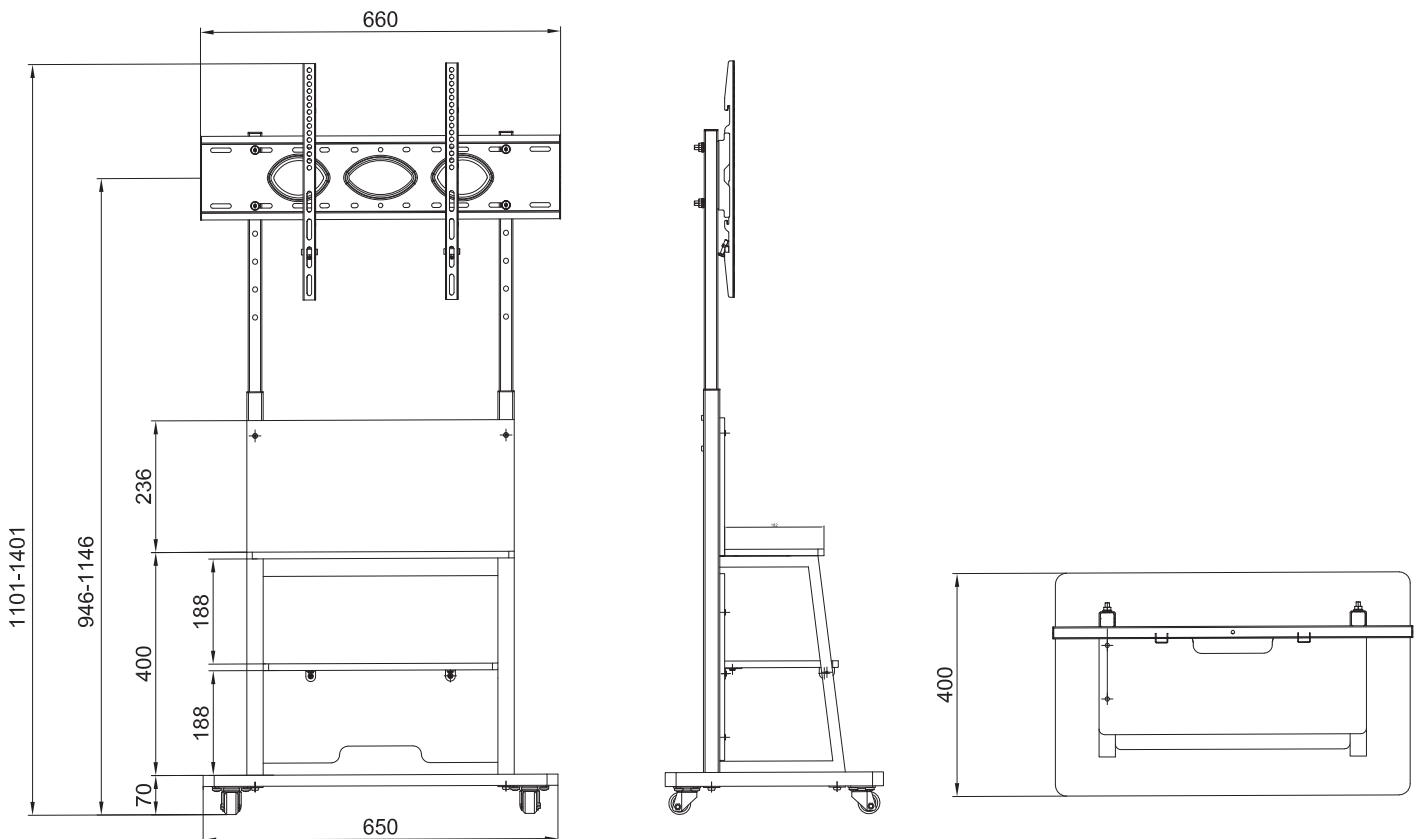
Doing it Right!



## TV COMPATIBILITY:

- **Universal Compatibility:** Specifically engineered to fit most 37" to 75" flat or curved TVs with VESA patterns ranging from 100x100mm to 600x400mm.
- **Massive Load Capacity:** The ultra-sturdy frame supports a maximum weight of 68kg (150lbs) for the TV, while each of the three integrated shelves handles up to 20kg, making it ideal for heavy AV equipment.
- **Precision Height Adjustment:** Features 15 levels of height adjustment, allowing you to customize the viewing center from 1101mm to 1401mm for the perfect line of sight in any room.
- **Enhanced Stability & Mobility:** Equipped with a heavy-duty wide base and four smooth-rolling, 360° swivel casters with locking brakes for effortless movement and secure positioning.
- **Integrated Media Storage:** The three-tier shelving system provides organized space for soundbars, receivers, and accessories, featuring a "wipe-clean" surface for easy maintenance.

## TECHNICAL DIAGRAM:



[www.techfortme.com](http://www.techfortme.com)