



Doing it Right!



RFIVER MTB2007WHTU MOBILE TV CARTS

Enhance your home or office with this Premium Mobile TV Cart, a perfect blend of modern industrial strength and warm, elegant design. Featuring a sophisticated wood-textured front panel, this stand is designed to harmonize with contemporary decor while providing a flexible viewing solution for any room. Whether you're moving your setup from the bedroom to a home gym or a professional workspace, the high-quality casters ensure effortless mobility.

Built for stability and style, the unit features a space-saving X-shaped base and an integrated media shelf for your laptop, gaming console, or audio equipment. Its versatile design makes it an ideal choice for those who demand both aesthetic appeal and heavy-duty performance.



Screen Size
37" ~ 75"



VESA
600x400mm



Load Capacity
68KGS



Height Range
1101 ~ 1401mm



Cable Management
YES

www.techfortme.com



Doing it Right!



RFIVER MTB2007WHTU MOBILE TV CARTS



www.techfortme.com



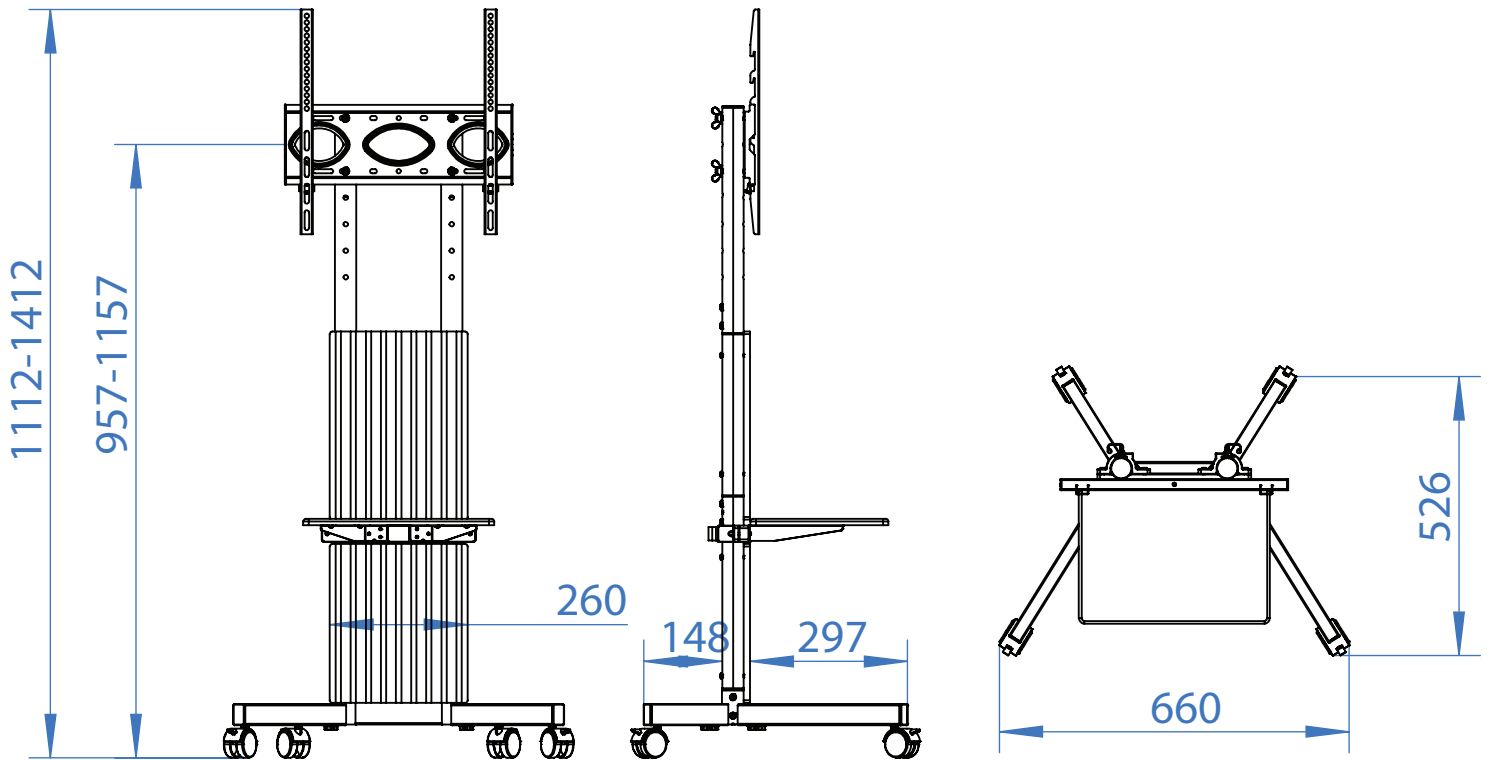
Doing it Right!



TV COMPATIBILITY:

- **Universal Large Screen Support:** Precision-engineered to fit most 40" to 86" flat or curved televisions.
- **Massive Weight Capacity:** The heavy-duty steel frame supports a maximum load of 90kg (approx. 198lbs), ensuring total security for your premium display.
- **Wide VESA Compatibility:** Fully compatible with a broad range of VESA mounting patterns, from a minimum of 100x100mm to a maximum of 800x400mm.
- **Adjustable Viewing Heights:** Customize your visual experience with 4 levels of height adjustment, ranging from 1373mm to 1598mm to achieve the perfect eye level.
- **Heavy-Duty Stability & Mobility:** Features a 950mm wide reinforced base and 360° swivel locking casters for maximum stability and smooth transport across various floor surfaces.

TECHNICAL DIAGRAM:



www.techfortme.com